



STANDARD

Drawer runner program

blum.com

Perfecting motion  **blum**[®]

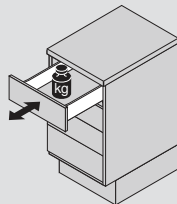
Proven technology - built upon years of experience



Blum testing criteria

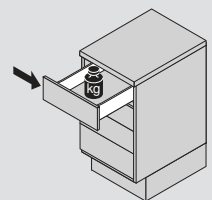
Cycle life/Dynamic load capacity test

100,000 open/close cycles with a total weight of **34kg** (75 lb.) on a **614mm** (22") drawer.



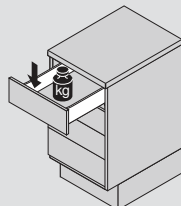
Side pressure test

A force of **15kg** (33 lb.) is applied ten times to a fully extended **614mm** (22") drawer.



Static load capacity test

45.3kg (100 lb.) applied to a half extended **614mm** (22") drawer for 1 minute.



STANDARD drawer runners exceed ANSI/BHMA requirements for a Grade 1 rating.



Runner of choice performance,

Blum STANDARD drawer runners apply proven technology built upon years of experience to ensure a solid performance that will last a lifetime. The program is designed for a variety of applications including interior roll-outs to full extension for access to the entire drawer.

Function and durability

The STANDARD drawer runner series is the runner of choice when performance, function and durability are desired. Blum offers three series of conventional drawer runners that deliver exceptional running action.

Longevity

All STANDARD drawer runners exceed BHMA Grade 1 requirements (75 lbs. dynamic load capacity, and 100 lbs. static load capacity).

Contents

- 4 General specifications
- 6 STANDARD 230M
- 8 STANDARD 230E
- 10 STANDARD 430E
- 13 Special application
- 14 Accessories
- 16 Assembly tools

STANDARD 230 general specifications



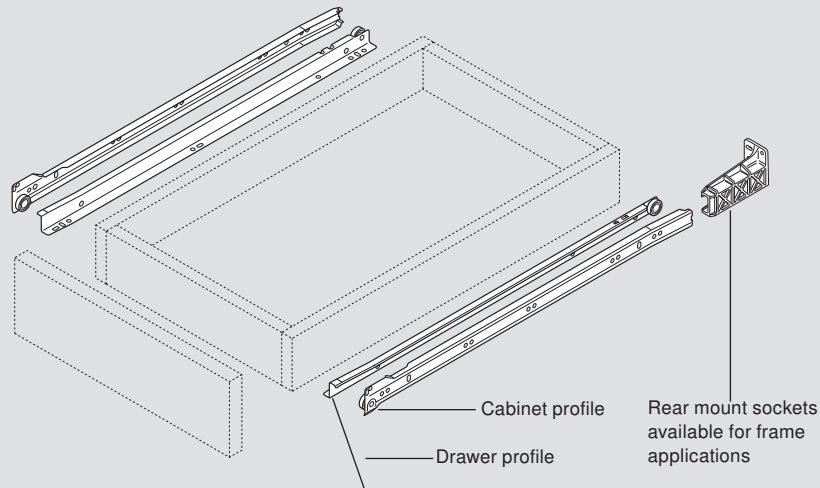
- Single extension, bottom mounted
- Durable epoxy coating in cream or white
- Smooth running synthetic rollers on tempered steel axles
- Captive RH profiles/tolerance LH profiles
- 1/2" side clearance
- Double warning lift out stop

The 230M series have BLUMATIC self-closing action. Angled drawer and cabinet profiles create a parallel drop 3/32".

The 230E series have stay-closed detents in the drawer profiles that hold the drawer in the closed position.

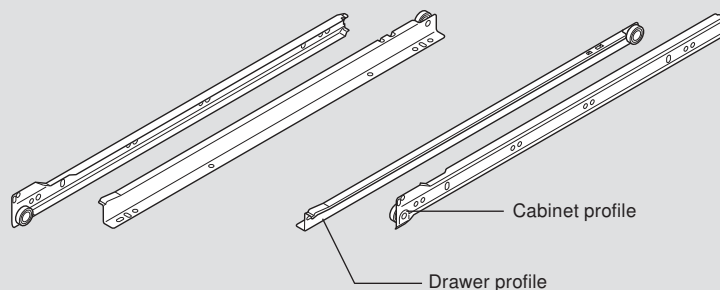
230M series

Single extension, BLUMATIC self closing drawer runners
Lengths: **250** (10") to **650** (26")



230E series

Single extension with stay-closed detents
Lengths: **700** (28") to **800** (32")



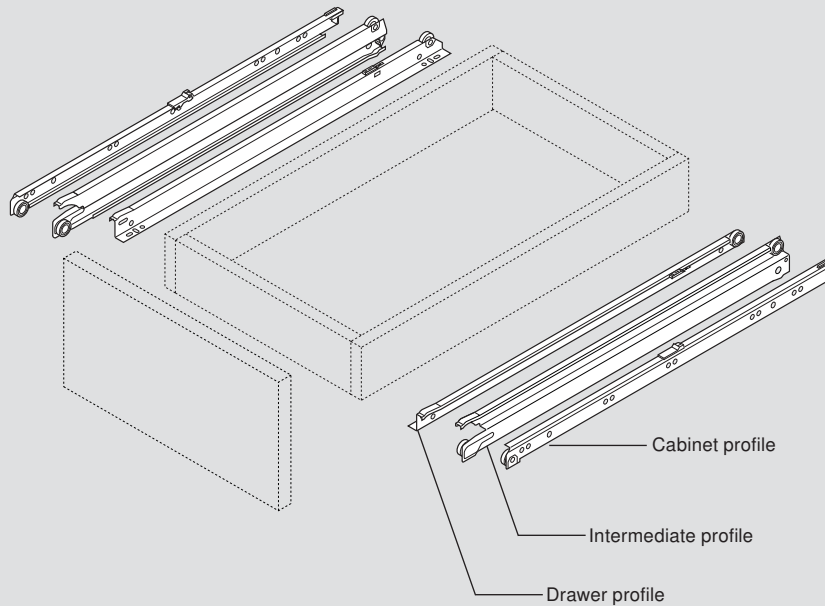
STANDARD 430 general specifications



- Full extension, bottom mounted
- Durable epoxy coating in cream or white
- Smooth running synthetic rollers on tempered steel axles
- Double captive profiles
- 1/2" side clearance
- Lock out stops to prevent drawer removal
- Intermediate profiles lock out for easy drawer installation
- 1-1/4" over extension
- Detents in the drawer and intermediate profiles hold the drawer closed

430 series

Full extension with stay-closed detents
Lengths: **250** (10") to **800** (32")



NOTE: No rear mount sockets available for 430 series. For frame cabinets, block out behind profiles.

STANDARD 230M Series

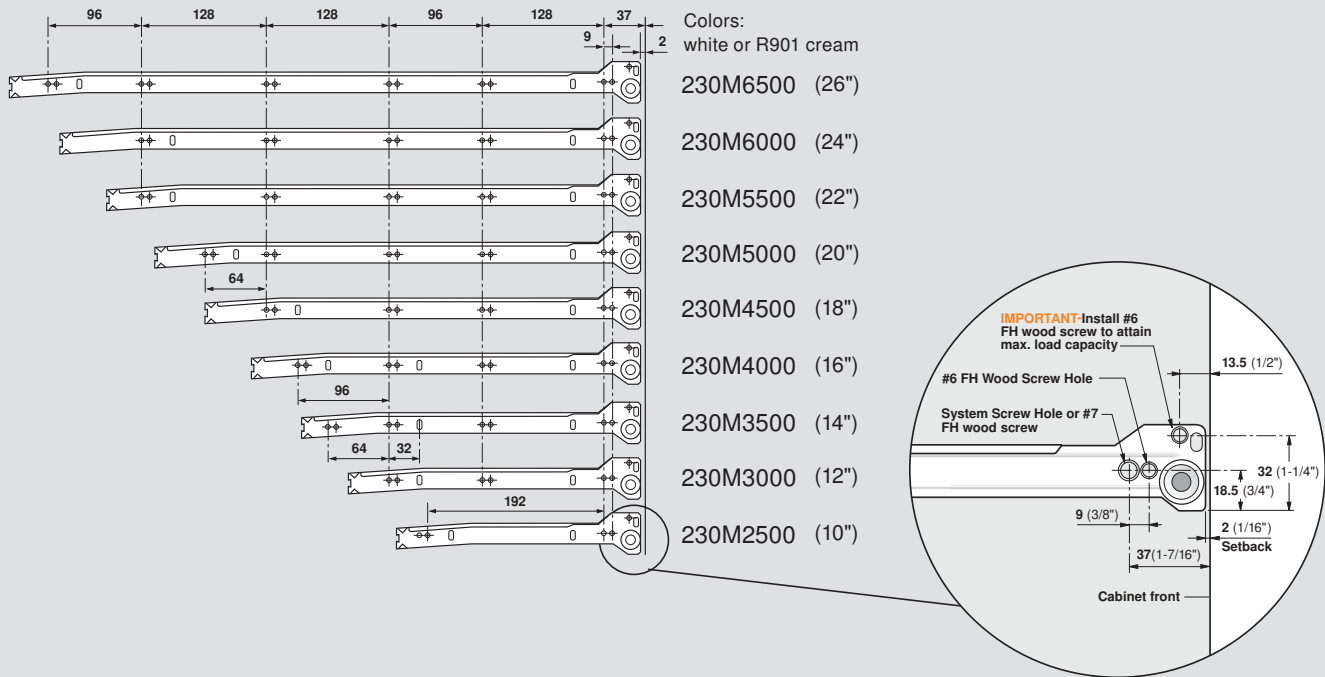
Bottom mounted single extension drawer runners

Runner Part No.	Nominal Length	Inside Depth		Minimum Panel Cabinet Interior Depth*	Suggested Drawer Length	Extension Loss**	Cabinet & Drawer Profile Length
		Maximum	Minimum				
230M6500	(26")	714 (28-1/8")	677 (26-11/16")	653 (25-3/4")	650 (25-5/8")	127 (4-15/16")	650 (25-5/8")
230M6000	(24")	664 (26-1/8")	627 (24-11/16")	603 (23-3/4")	600 (23-5/8")	120 (4-11/16")	600 (23-5/8")
230M5500	(22")	614 (24-3/16")	577 (22-3/4")	553 (21-13/16")	550 (21-11/16")	110 (4-5/16")	550 (21-11/16")
230M5000	(20")	564 (22-3/16")	527 (20-3/4")	503 (19-13/16")	500 (19-11/16")	102 (4")	500 (19-11/16")
230M4500	(18")	514 (20-1/4")	477 (18-13/16")	453 (17-7/8")	450 (17-3/4")	95 (3-3/4")	450 (17-3/4")
230M4000	(16")	464 (18-1/4")	427 (16-13/16")	403 (15-7/8")	400 (15-3/4")	85 (3-3/8")	400 (15-3/4")
230M3500	(14")	414 (16-1/4")	377 (14-13/16")	353 (13-7/8")	350 (13-3/4")	85 (3-3/8")	350 (13-3/4")
230M3000	(12")	364 (14-5/16")	327 (12-7/8")	303 (11-15/16")	300 (11-13/16")	85 (3-3/8")	300 (11-13/16")
230M2500	(10")	314 (12-5/16")	277 (10-7/8")	253 (9-15/16")	250 (9-13/16")	59 (2-5/16")	250 (9-13/16")

* For overlay drawer fronts. Space requirements for inset drawers will vary according to front thickness. A trial is recommended.

** At suggested drawer length.

Specifications

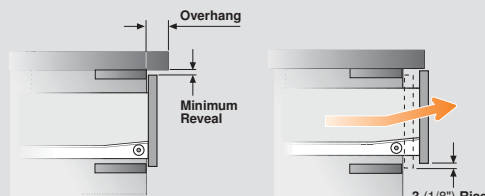


230M Rear Mount Socket



	Part No.
L&R set	602320
RH socket	602300
LH socket	602301

NOTE: The Blumatic design lowers the drawer into the closed position. Consult the minimum reveal table to make sure the drawer front clears the countertop overhang when the drawer opens.

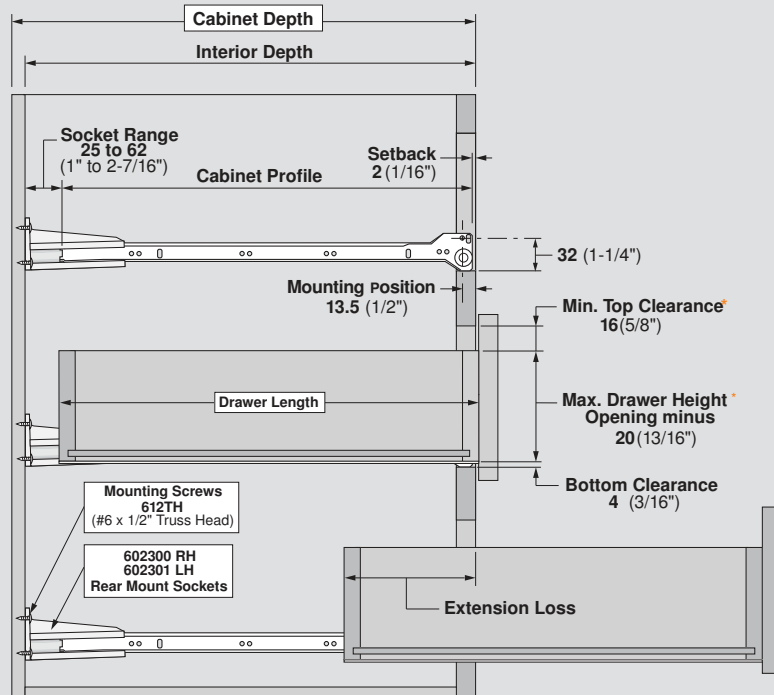


	16 (5/8")	32 (1 1/4")	48 (1 7/8")
Overhang	16 (5/8")	32 (1 1/4")	48 (1 7/8")
Minimum Reveal	1 (1/32")	2 (3/32")	3 (1/8")

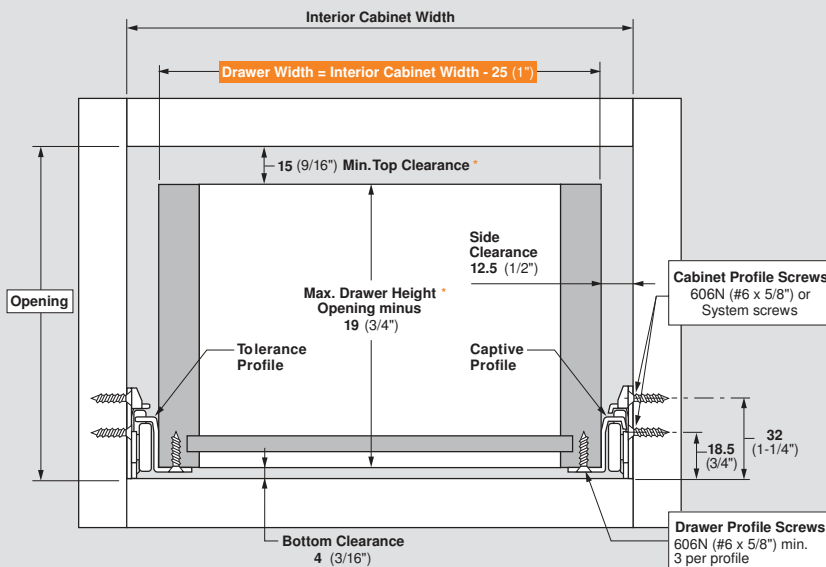
Dimensions in millimeters (inch equivalents as noted)
Subject to technical modifications without notice. © 2012

Drawer and cabinet specifications

Frame cabinet installation

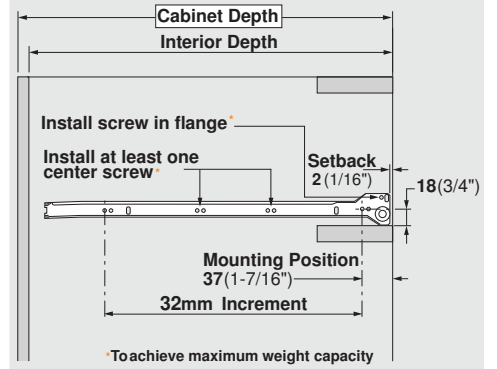


* Minimum top clearance and maximum drawer height when drawer is of recommended length and tilting to remove is not desired.

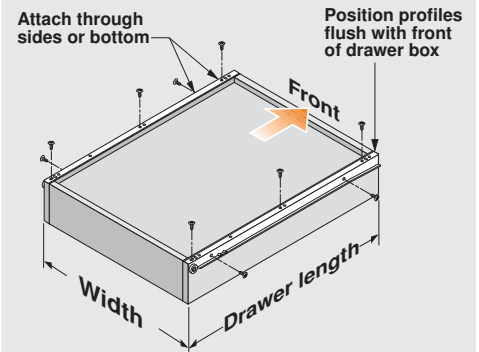


* Minimum top clearance and maximum drawer height when drawer is of recommended length and tilting to remove is not desired.

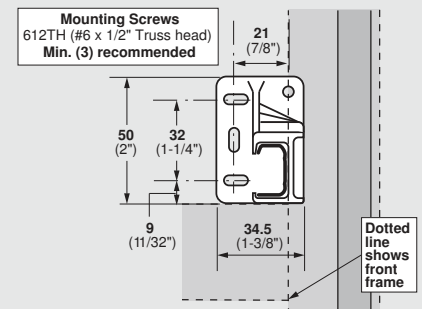
Panel cabinet installation



Drawer profile mounting



Rear mount socket location



STANDARD 230E Series

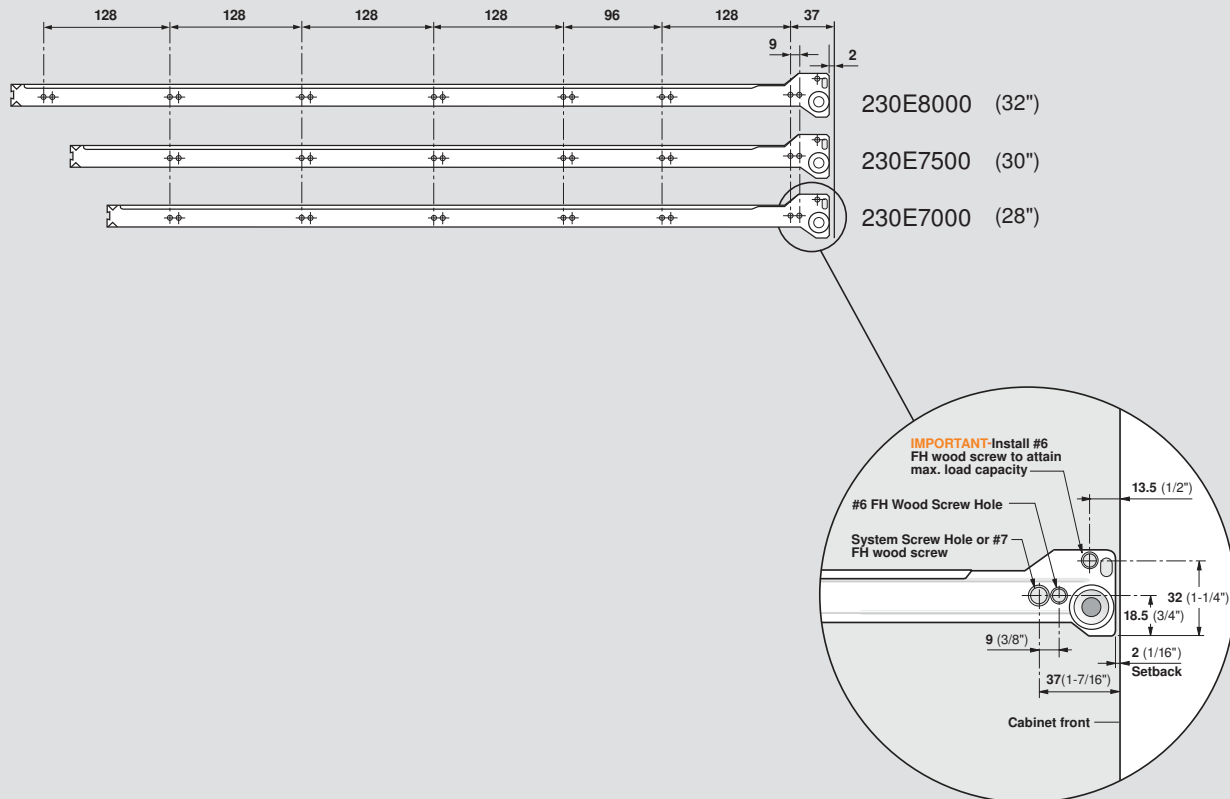
Bottom mounted single extension drawer runners

Runner Part No.	Nominal Length	Inside Depth		Minimum Panel Cabinet Interior Depth*	Suggested Drawer Length	Extension Loss**	Cabinet & Drawer Profile Length
		Maximum	Minimum				
230E8000	(32")	852 (33-9/16")	805 (31-3/4")	803 (31-5/8")	800 (31-1/2")	152 (6")	800 (31-1/2")
230E7500	(30")	802 (31-9/16")	755 (29-3/4")	753 (29-5/8")	750 (29-1/2")	145 (5-23/32")	750 (29-1/2")
230E7000	(28")	752 (29-9/16")	705 (27-3/4")	703 (27-11/16")	700 (27-9/16")	135 (5-5/16")	700 (27-9/16")

* For overlay drawer fronts. Space requirements for inset drawers will vary according to front thickness. A trial is recommended.

** At suggested drawer length.

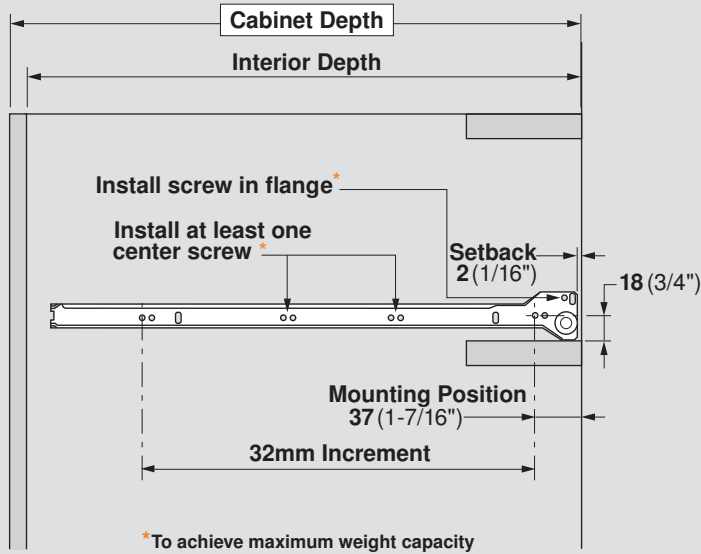
Specifications



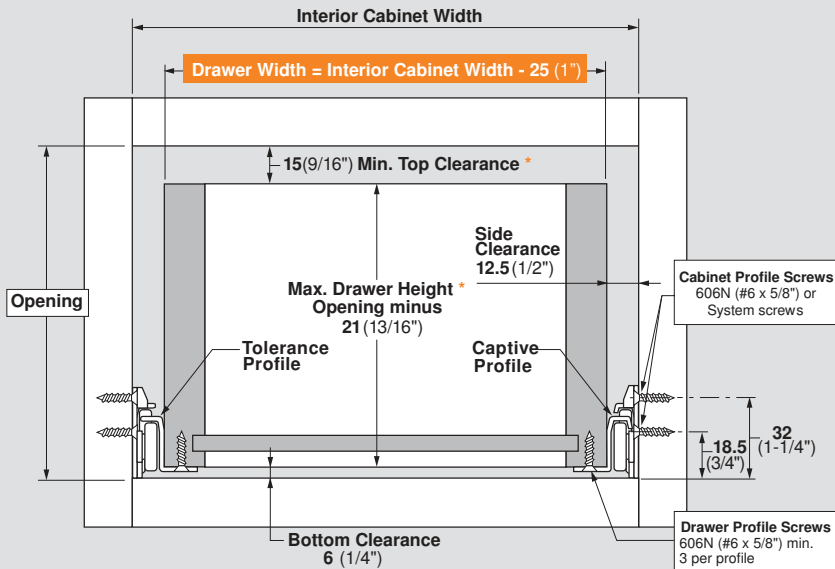
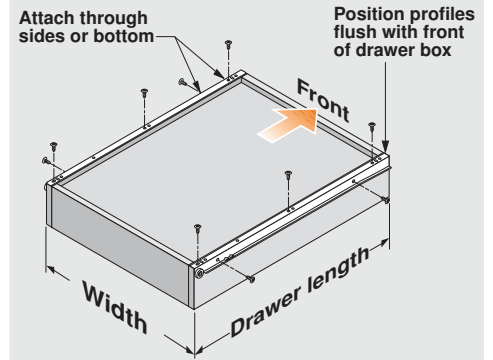
NOTE: Frame applications must be blocked-out.

Drawer and cabinet specifications

Panel cabinet installation

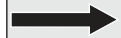


Drawer profile mounting



* Minimum top clearance and maximum drawer height when drawer is of recommended length and tilting to remove is not desired.

See page 12 for profile installation



STANDARD 430E Series

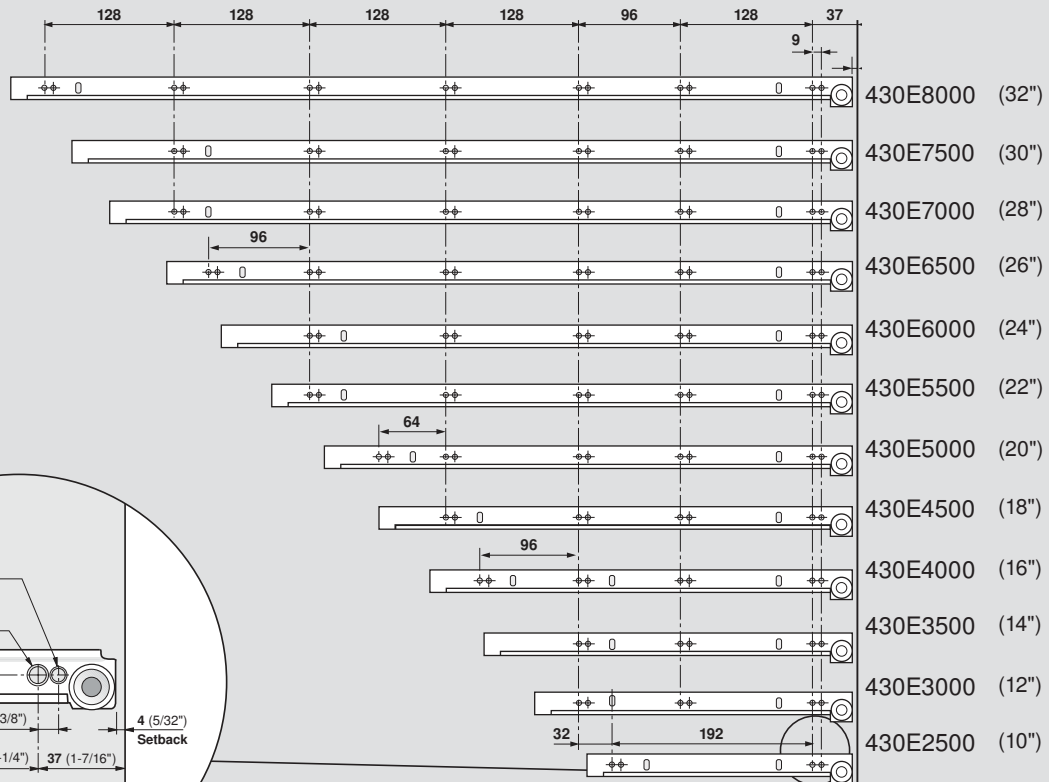
Bottom mounted full extension drawer runners

Runner Part No.	Nominal Length	Minimum Interior Cabinet Depth	Suggested Drawer Length	Over Extension	Cabinet & Drawer Profile Length
430E8000	(32")	803 (31-5/8")	800 (31-1/2")	30 (1-3/16") At suggested drawer length	800 (31-1/2")
430E7500	(30")	753 (29-5/8")	750 (29-1/2")		750 (29-1/2")
430E7000	(28")	703 (27-11/16")	700 (27-9/16")		700 (27-9/16")
430E6500	(26")	653 (25-3/4")	650 (25-5/8")		650 (25-5/8")
430E6000	(24")	603 (23-3/4")	600 (23-5/8")		600 (23-5/8")
430E5500	(22")	553 (21-13/16")	550 (21-11/16")		550 (21-11/16")
430E5000	(20")	503 (19-13/16")	500 (19-11/16")		500 (19-11/16")
430E4500	(18")	453 (17-7/8")	450 (17-3/4")		450 (17-3/4")
430E4000	(16")	403 (15-7/8")	400 (15-3/4")		400 (15-3/4")
430E3500	(14")	353 (13-7/8")	350 (13-3/4")		350 (13-3/4")
430E3000	(12")	303 (11-15/16")	300 (11-13/16")		300 (11-13/16")
430E2500	(10")	253 (9-15/16")	250 (9-13/16")		250 (9-13/16")

* For overlay drawer fronts. Space requirements for inset drawers will vary according to front thickness. A trial is recommended.

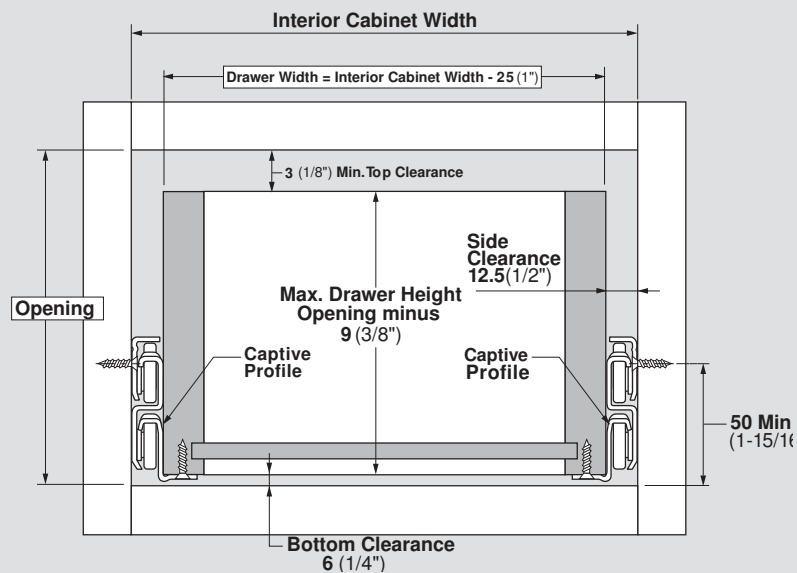
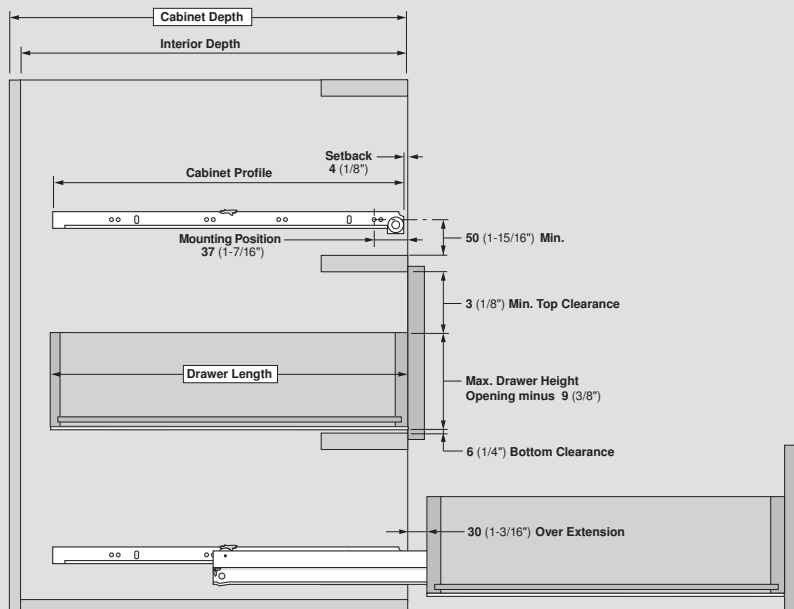
** At suggested drawer length.

Specifications

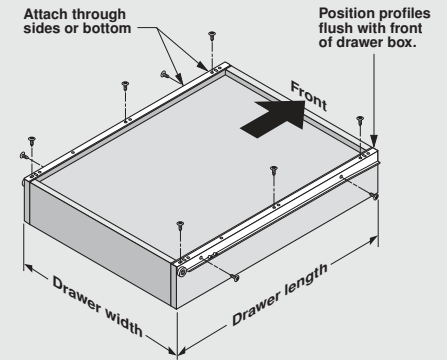


Drawer and cabinet specifications

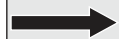
Panel cabinet installation



Drawer profile mounting



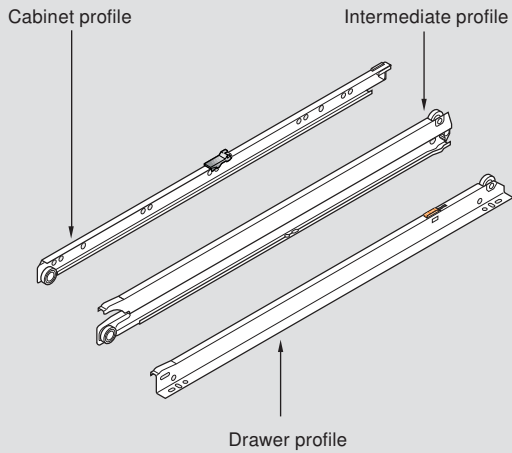
See page 12 for profile installation



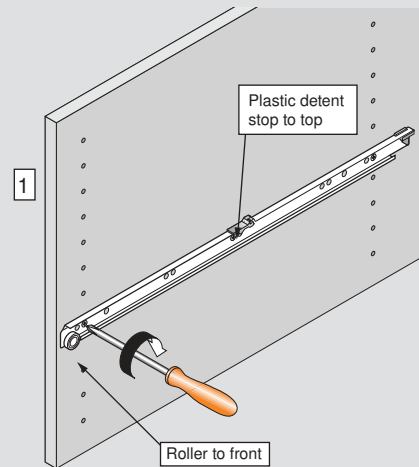
STANDARD 430E Series

Assembly of bottom mounted full extension drawer runners

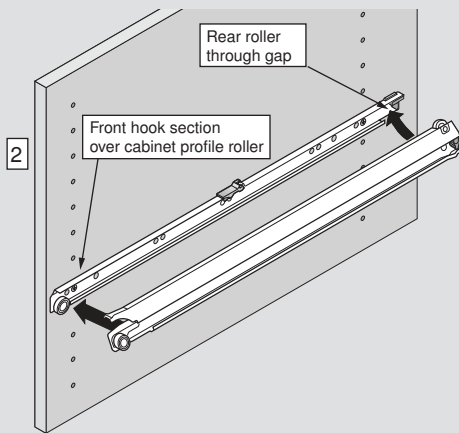
Cabinet and drawer profile assembly



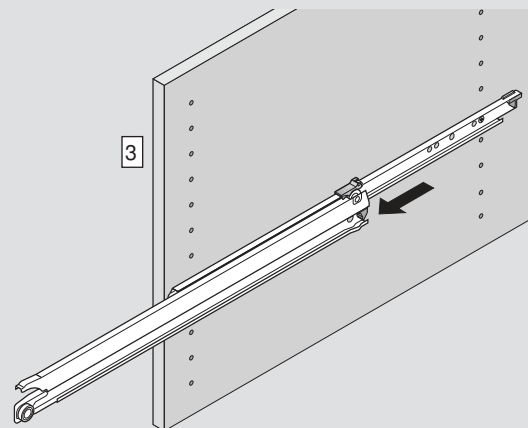
Mount cabinet profile to side panel



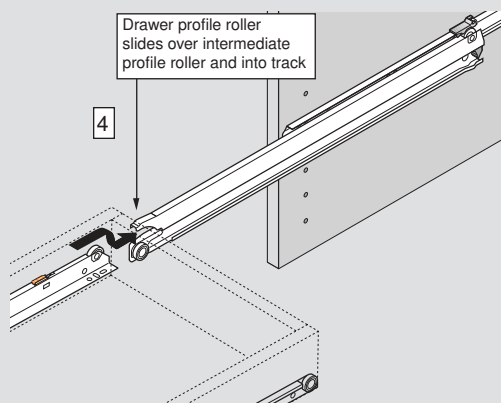
Install intermediate profile



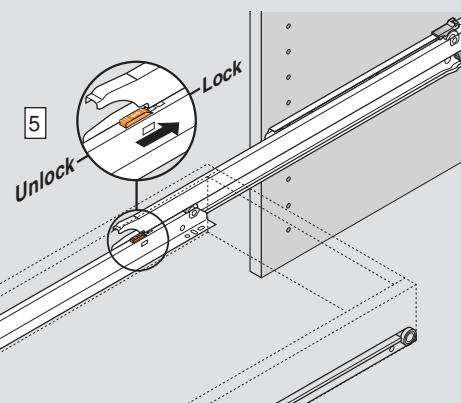
Slide intermediate profile into position



Install drawer profile

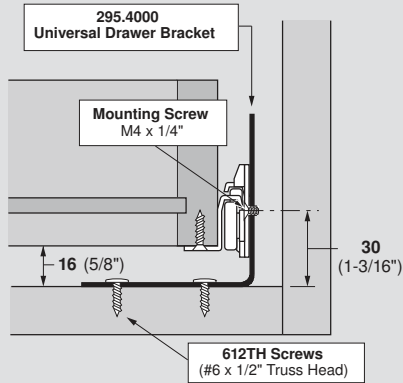


Engage drawer removal lock

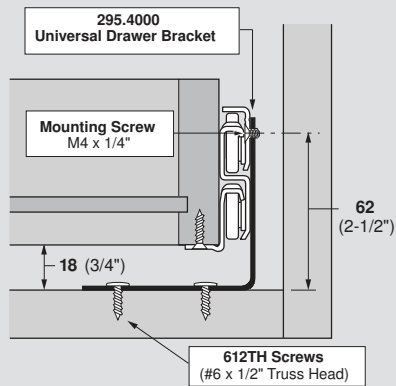


Special application

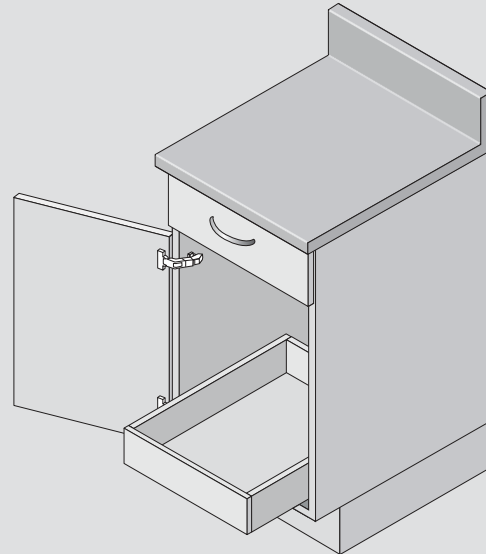
STANDARD series with roll-out tray mounted to Blum universal drawer brackets



Roll-out tray with 230M runner

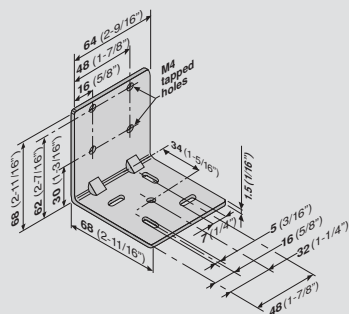


Roll-out tray with 430E runner



Runner mounting bracket

For mounting Blum runners to the floor of a cabinet (roll-out tray).



Part No.

Universal bracket kit

295.4000

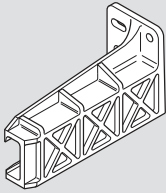
Installation screws

612TH

Accessories

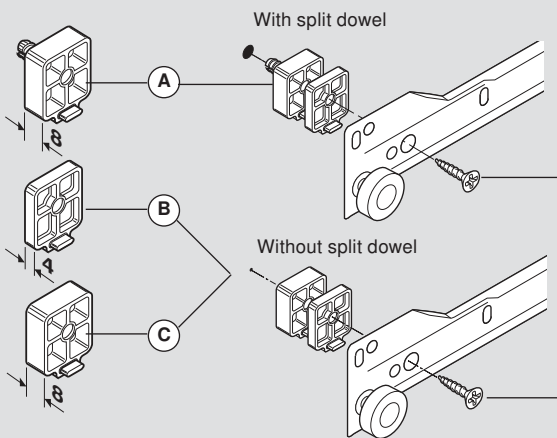
For 230M runners

Synthetic, neutral color



	Part No.
230M socket set	602320
230M RH	602300
230M LH	602301
Installation screws	612TH

Cabinet profile spacers



Used to space runners away from cabinet side to clear door protrusion on interior roll-out trays.

Two thicknesses available that can be stacked up to **24** (15/16")

Synthetic, neutral color

IMPORTANT: Use spacers on front, middle and rear of each cabinet profile for adequate support.

Use #6 FH screw that penetrates cabinet side at least **13** (1/2")

- Ⓐ 8 (5/16") with Ø5 (3/16") x 11 dowel for linebore mounting
- Ⓑ 4 (5/32") stackable
- Ⓒ 8 (5/16") stackable

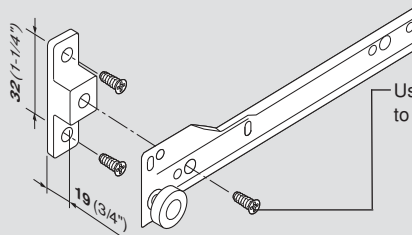
Part No.

320M0188

320M0048

320M0088

Heavy duty spacer



Use 3 deep thread system screws to attach runner to spacer and spacer to cabinet side

32 (1-1/4") x 19 (3/4")

Part No.

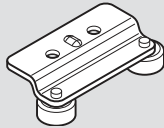
60.2750.0000

Accessories

Door Protectors

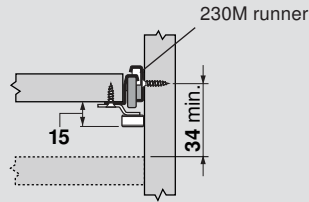
For pull-out surrounds to prevent damage to doors.

Fixed to the underside of the drawer. For 230M and 430E runners. Symmetrical. Epoxy coated steel, with synthetic rollers cream color.

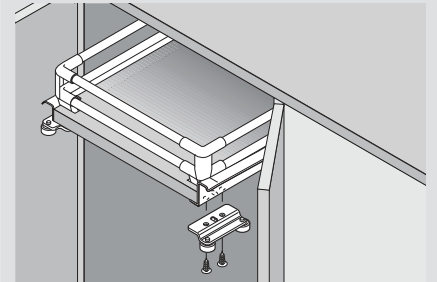


Part No.
298.2200

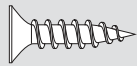
Space requirements



Assembly



Deep thread wood screws



Nickel plated

Part No.

#6 x 5/8", #2 Phillips **606N**

#6 x 5/8", #2 POZI **606P**

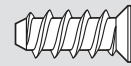
Truss head wood screws



Zinc plated

#6 x 1/2", #2 Phillips **612TH**

Deep thread system screws



Used to attach cabinet profiles

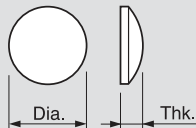
Pilot bore $\varnothing 5$ (3/16") hole

Part No.

11.5 (7/16"), #2 POZI **661.1150.HG**

13 x (1/2"), #2 POZI **661.1300.HG**

Bumpers



- Cushions door closing
- Clear with a self-adhesive back

Part no.

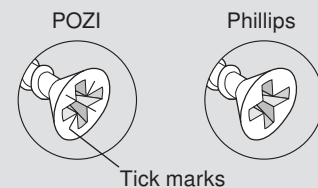
$\varnothing 7.5$ (9/32") x 2 (3/32") **FX4041**

$\varnothing 12$ (15/32") x 3.5 (1/8") **SJ5312**

POZI DRIVER and bits



A POZI screwdriver (different from Phillips) is the most crucial tool you can use to assure that full torque is applied to all Blum mounting screws. POZI screws can be identified by the distinctive "tick" marks located in the center of the screw head recess.



Part no.

#2 POZI DRIVER **POZI DRIVER**

1/4" Magnetic bit holder **BIT HOLDER**

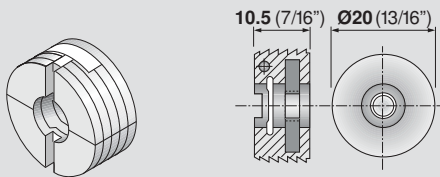
#2 x 1" POZI bit insert **POZI BIT #2x1**

#2 x 2" POZI bit insert **POZI BIT #2x2**

Assembly Tools

Drawer front adjuster

Nylon housing with pre-mounted 8-32 steel nut. For 4-sided drawers. Adjusts height and side-to-side by 5 (3/16").



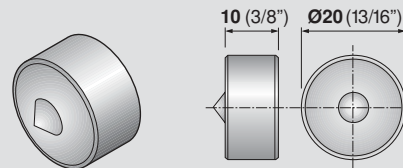
Part No.

Drawer front adjuster	295.1000.21
MINIPRESS ram	MZM.0095
Ø20 rt handed drill bit	M01.ZB20.02 RH

Marking gauge

For marking center holes for knock-in drawer front adjusters

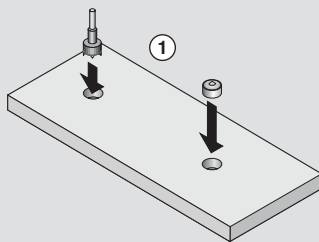
For wooden 4-sided draws.



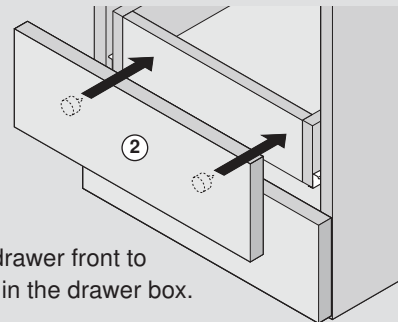
Part No.

65.2950.10

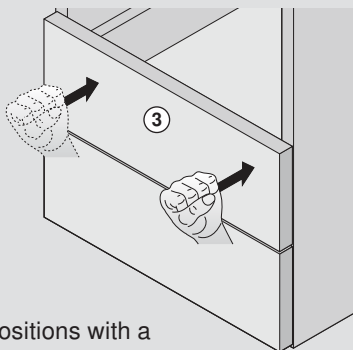
Using the drawer front adjuster and marking gauge



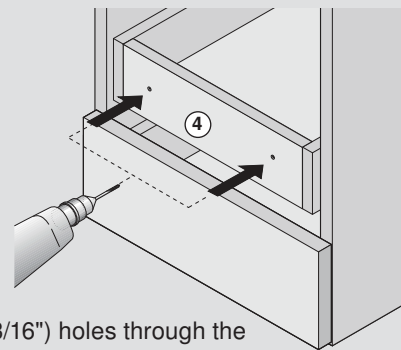
1. Bore for front adjusters. Insert marking gauges into drawer front.



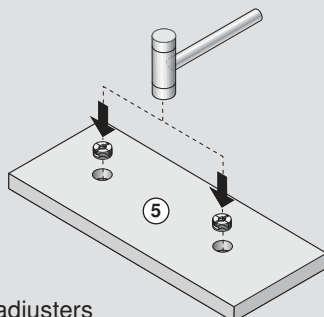
2. Align the drawer front to make marks in the drawer box.



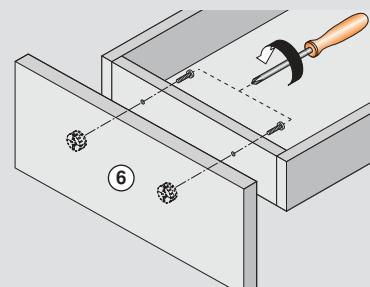
3. Mark fixing positions with a light tap onto the drawer front.



4. Drill Ø5 (3/16") holes through the drawer box.



5. Insert drawer front adjusters manually or with a MINIPRESS insertion ram



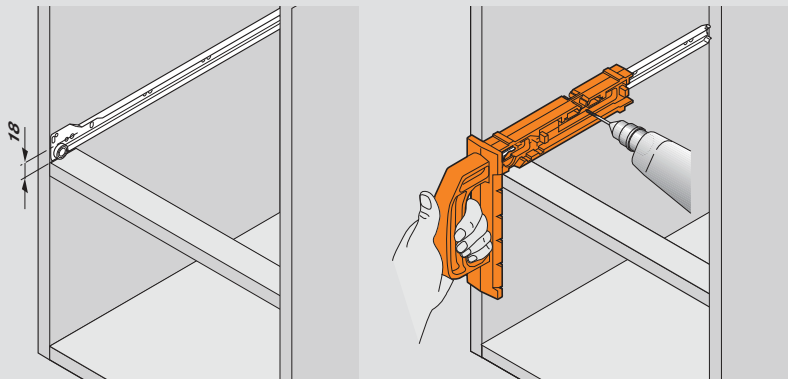
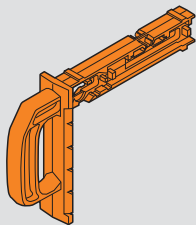
6. Install and adjust drawer front.

Assembly Tools

MINIFIX

For precise positioning of cabinet profile fixing screws.

For 230M and 230E runners



Part No.

65.3300



Blum, Inc. Headquarters, Stanley NC



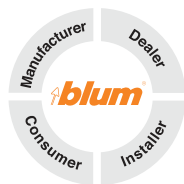
Why choose Blum



Blum, Inc. is a leading manufacturer of functional hardware for the kitchen cabinet and commercial casework industries specializing in lift systems, concealed hinges and drawer runner systems. Virtually all of the hardware needed to assemble and make cabinets functional is available within the wide range of quality Blum products. Blum supports the U.S. market with a network of more than 150 dependable distributors, 40+ knowledgeable Blum sales representatives and an experienced customer service department.

Commitment to manufacturing in the U.S.

Blum manufactures many of its products in our 450,000 sq ft manufacturing, logistics and warehouse facility located in Stanley, North Carolina. Manufacturing closer to the customer allows Blum to react quickly to changing customer needs including unexpected surges in demand. Customer pickups and deliveries can be timed to better match their production schedules. Blum is committed to manufacturing in the U.S. for the U.S. market.



Product development at Blum considers all of the various customers who will come in contact with our products. With this “Global Customer Benefits” philosophy we strive to create advantages for all users.



Blum, Inc. is ISO 9001 certified which means that you are assured of consistent quality in every Blum product. What's more they exceed the requirements of ANSI/ BHMA standards for cycle life, static load and self-closing performance.



Technical specifications subject to change without notice.
LIT.STD1000.02.12 © 2012 Blum, Inc.

Blum, Inc.
7733 Old Plank Rd.
Stanley, NC 28164
800-438-6788
blum.com

