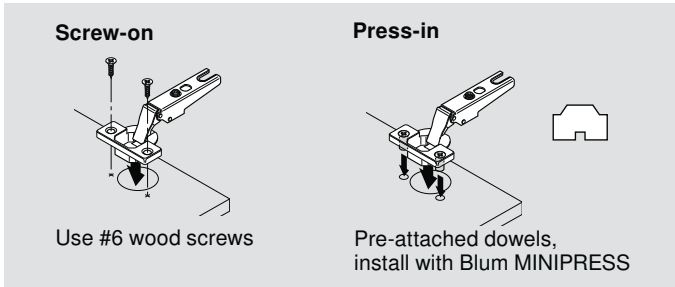




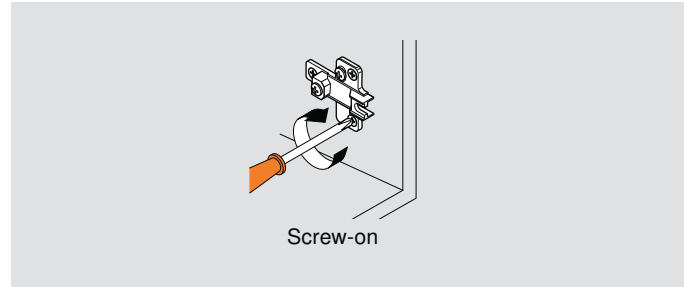
**MODUL hinges**



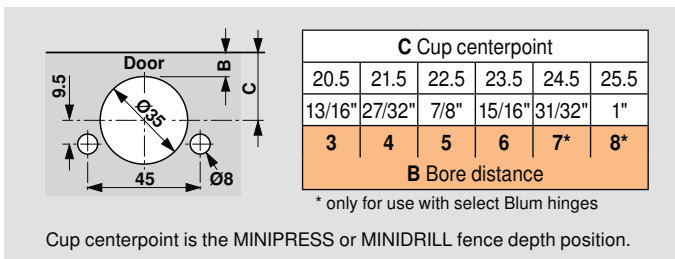
## Hinge-to-door attachment



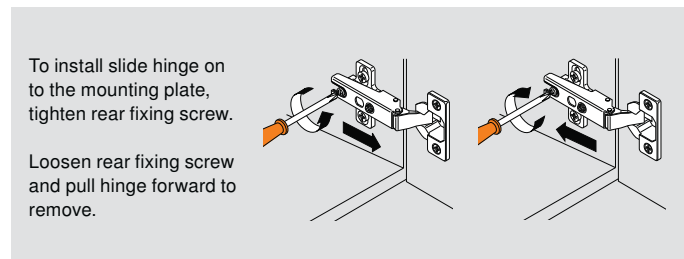
## Mounting plate-to-cabinet



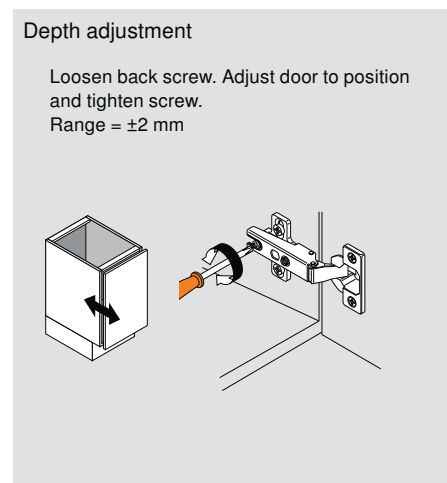
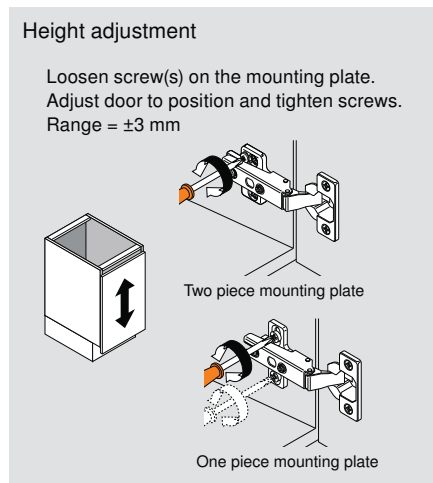
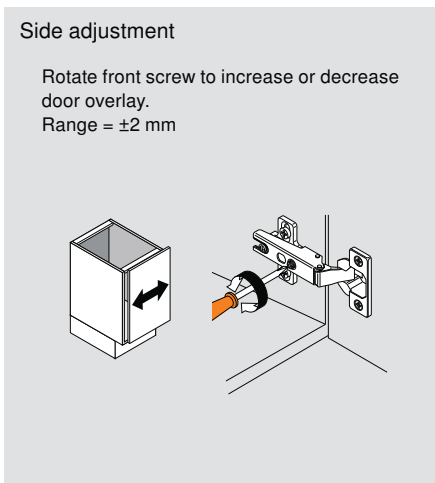
## Blum boring pattern



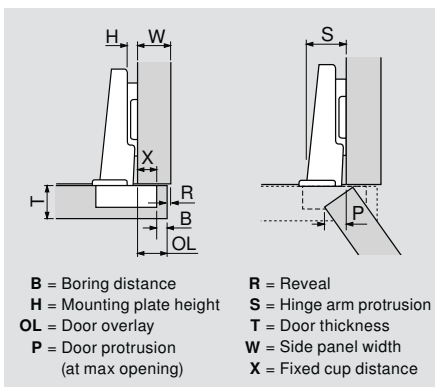
## Door-to-cabinet attachment



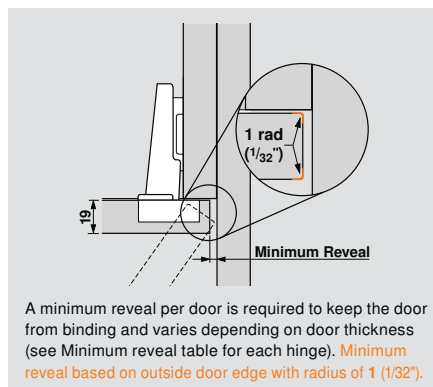
## Three-dimensional adjustment



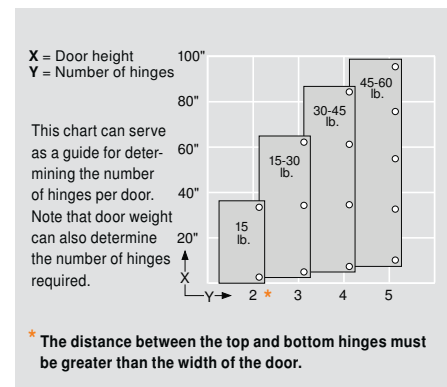
## Hinge dimension abbreviations



## Minimum reveal



## Hinges per door





## Features

- 100° opening angle
- All metal hinge, nickel-plated
- Three-dimensional adjustment
- Slide-on hinge arm

Cover caps  
Mounting plates

page 59

pages 57-58

## Minimum Reveal

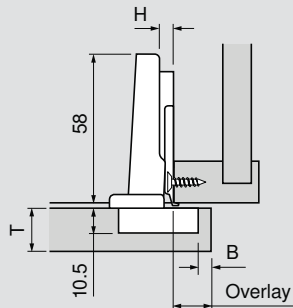
Minimum reveal table							
0.5	0.9	1.1	1.4	2.3	3.6	5.2	3
0.5	0.8	1.0	1.3	2.0	3.3	4.8	4
0.4	0.8	1.0	1.2	1.8	3.0	4.4	5
0.4	0.8	0.9	1.1	1.7	2.8	4.1	6
16	18	19	20	22	24	26	B
T Door thickness							Bore

Cross-reference the door thickness and bore distance to assure that doors won't bind when opened.

See back cover fold out for more specifications →

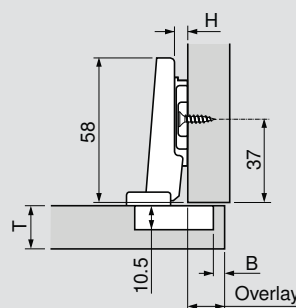
## Frame cabinet applications

### Overlay door



## Panel cabinet applications

### Overlay door



## Straight-arm hinges

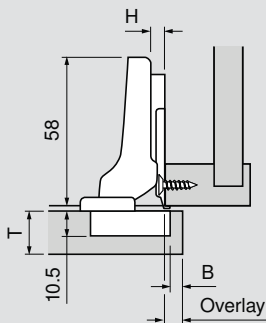
	Self close	Free swing
Screw-on	91M2550	90M2550
Press-in	91M2580	90M2580

Overlay table						
0	14	15	16	17	9	20
3	11	12	13	14	12	23
6	8	9	10	11	15	26
9	5	6	7	8	18	29
H	3	4	5	6	P	S
Plate	B Bore distance				Clearances	

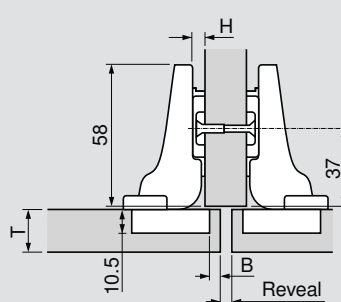
11 fixed distance

NOTE: 9 plate only available for panel cabinets

### Partial overlay door



### Twin overlay doors



## Half-cranked hinges (9.5 mm)

	Self close
Screw-on	91M2650
Press-in	91M2680

Overlay table						Partial overlay	
0	4.5	5.5	6.5	7.5	18.5	30	
H	3	4	5	6	P	S	
Plate	B Bore distance				Clearances		

1.5 fixed distance

Reveal table					Twin overlay		
0	7	5	3	1	16	18.5	30
	10	8	6	4	19		
	13	11	9	7	22		
H	3	4	5	6	W	P	S
Plate	B Bore distance				Panel	Clearances	

## Full-cranked hinges (18 mm)

	Self close
Screw-on	91M2750
Press-in	91M2780

Reveal table						
0	4	3	2	1	27	38
H	3	4	5	6	P	S
Plate	B Bore distance				Clearances	

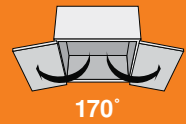
- 7 fixed distance

For more information on using this section see page 5.

All dimensions in millimeters (inch equivalents as shown).

Subject to technical modifications without notice. © 2010

# MODUL 170° hinges



## Features

- 170° opening angle
- All metal hinge, nickel-plated
- Three-dimensional adjustment
- Slide-on hinge arm

Cover caps  
Mounting plates

page 59  
pages 57-58

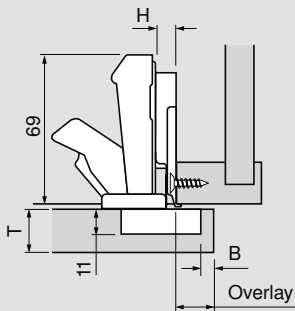
## Minimum Reveal

Minimum reveal table							
0	0	0	0	0.2	2.2	4.2	3
0	0	0	0	0	1.4	3.8	4
0	0	0	0	0	.9	2.7	5
0	0	0	0	0	0	2.2	6
0	0	0	0	0	0	1.7	7
0	0	0	0	0	0	1.3	8
16	18	19	20	22	24	26	B
T Door thickness							Bore

Cross-reference the door thickness and bore distance to assure that doors won't bind when opened.

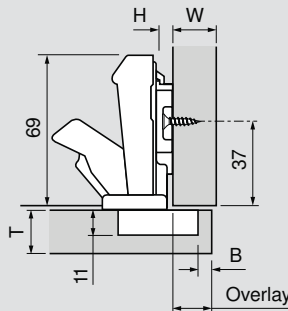
## Frame cabinet applications

### Overlay door



## Panel cabinet applications

### Overlay door



See back cover fold out for more specifications →

## Straight-arm hinges

	Self close
Screw-on	91A6550
Press-in	91A6580

Overlay table									
0	14	15	16	17	18	19	1.5	65	
3	11	12	13	14	15	16	4.5	68	
6	8	9	10	11	12	13	7.5	71	
9	5	6	7	8	9	10	10.5	74	
H Plate	3	4	5	6	7	8	P	S	Clearances

11 fixed distance

NOTE: 9 plate only available for panel cabinets

## Half-cranked hinges (9.5 mm)

	Self close
Screw-on	91A6650
Press-in	91A6680

Overlay table								Partial overlay	
0	4.5	5.5	6.5	7.5	8.5	9.5	11	75	
H Plate	3	4	5	6	7	8	P	S	Clearances

1.5 fixed distance

Reveal table							Twin overlay		
0	7	5	3	1	-	-	16		
	10	8	6	4	2	0	19	11	75
	13	11	9	7	5	3	22		
H Plate	3	4	5	6	7	8	W Panel	P	S Clearances

1.5 fixed distance

## Half-cranked hinges (9.5 mm)

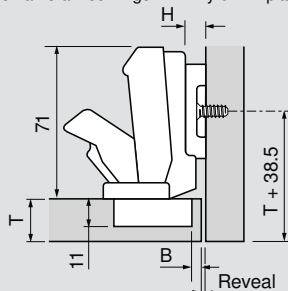
	Self close
Screw-on	91A6650
Press-in	91A6680

Reveal table							Clearances	
9	4.5	3.5	2.5	1.5	0.5	-	20	84
H Plate	3	4	5	6	7	8	P	S

-7.5 fixed distance

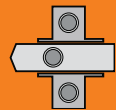
## Inset door

Use half-cranked hinge Any 9 mm plate


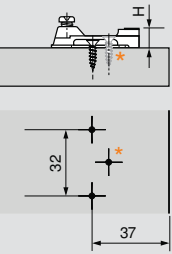


MODUL





## One piece wing mounting plate


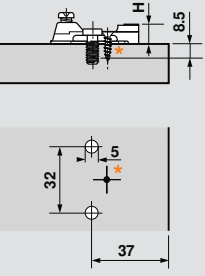



- Steel, nickel-plated
- Attached with wood screws #6 x 5/8"
- Height adjustment  $\pm 3$  mm
- \*Add additional wood screw if used with wide angle hinges

**Wood screws**  
**606N or 606P**

**(H) Height 0**  
**193L6100**

## One piece wing mounting plate


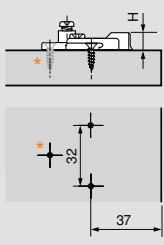
- Steel, nickel-plated
- Attached with pre-mounted system screws  $\varnothing 5$  mm (668.1450.EH)
- Height adjustment  $\pm 3$  mm
- \*Add additional wood screw if used with wide angled hinges

**System screws**  
**Pre-mounted**

**(H) Height 0**  
**193L8100**

MODUL

## Two piece mounting plate

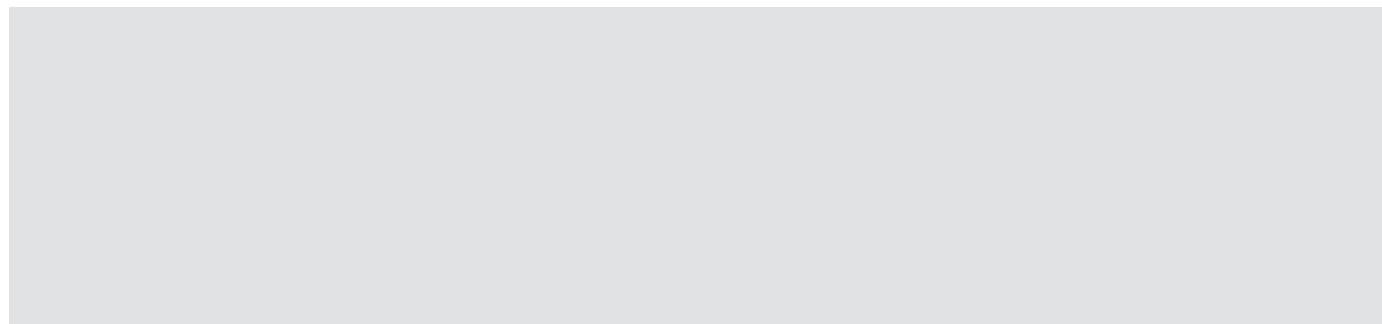



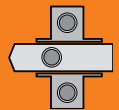
- Zinc die-cast, nickel-plated
- Attached with wood screws #6 x 5/8"
- Height adjustment  $\pm 2$  mm
- \*Add additional wood screw if used with wide angled hinges

**Wood screws**  
**606N or 606P**

**(H) Height 0**  
**195H7100**

**(H) Height 9**  
**195H7190**





## Two piece wing mounting plate

- Zinc die-cast, nickel-plated
- Attached with #7 x 9/16" wood screw or Ø6 x 14.5 mm system screws
- Height adjustment ±2 mm
- \*Add additional wood screw if used with wide angle hinges

<b>Wood screw</b>	<b>or System screws</b>	<b>(H) Height 0</b>
707N	661.1450.HG	195H9100

## Face frame adapter plate

- Zinc die-cast, nickel-plated
- Attached with wood screws #7 x 3/4"
- Height adjustment ±2 mm
- Use of the PlateMate recommended for proper installation (see page 78)

<b>Wood screws</b>	<b>(H) Height 0</b>	<b>(H) Height 6</b>
7074N	198.6600.22	198.6660.22

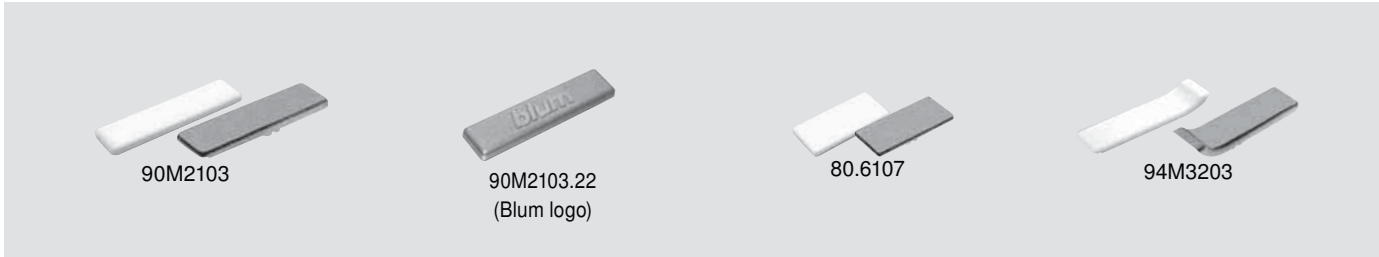
## Recessed frame adapter plate

- Zinc die-cast, nickel-plated
- Attached with wood screws #6 x 5/8"
- Height and side adjustment ±2 mm
- For overlays of 24 mm (15/16") to 27 mm (1-1/16")

<b>Wood screw</b>	<b>(H) Height 0</b>
606N or 606P	199.0100.02



## Nylon (black or white)



## MODUL cover caps

**MODUL** 100° hinges

**MODUL** 170° hinges

**MODUL** Blind corner hinges

	Nylon
Straight-arm	90M2103
Cranked-arm	94M3203
	80.6107
Straight-arm	90M2103

**NOTE:** Custom logo available in nylon (black or white). Consult your Blum representative for minimum quantities and lead times on custom logos.