

Company: _____
 Contact Name: _____
 Address: _____
 City / State / Zip: _____
 Phone #: _____
 Fax #: _____
 Email: _____

Email (or fax) form to your authorized distributor:

Authorized Distributor: _____
 Branch Location: _____
 Email / Fax: _____



Ph: (877) 332-3396 Fx: (704) 332-3267
 www.element-designs.com orders@element-designs.com

Project Name: _____
 Date: _____ PO #: _____

1 Profile Type

- AF001** AF002
- AF003 AF004
- AF005 AF006*
- AF007 AF008**
- AF009 AF010*
- AF011

*AF006 & AF010 available ONLY with opaque Backpainted Glass inserts

** AF001 & AF008 are Narrow Profiles. Hinge fabrication must be done by Element Designs. **MAX 48" H or W**

2 Profile Finish

- **Anodized Finish**
 - Natural Anodized
 - Brushed Stainless
 - Chrome (AF003 & AF010 ONLY)
 - Arctic Gold (AF003 ONLY)
- **Powder Coat Finish**
 - Oil Rubbed Bronze
 - White Black

3 Insert Type (select one) all inserts are 5/32" (4mm)

- **Standard Glass Inserts:**
 - Satin (Acid Etched) Lustral D Reeded (Vertical)
 - Clear Austral Reeded (Horizontal)
 - Smoked Grey Mirror Master Carre
 - Low-Iron Clear Low-Iron Satin (Acid Etched)

- **Backpainted Glass Inserts:**
 Finish (select one): Gloss Matte

- Paint Color (select one):
 - White Scarlet Silver
 - Black Olive Bronze
 - Sand Mocha Charcoal
 - Non-Standard Color: _____
 - Custom Color*: _____

*Custom Color match approval & fee applies. Contact Element Designs for details.
 **Backpainted glass has a light gray backer, unless otherwise specified

- **3form® Resin Inserts:**
 Pattern: _____
- **PARAPAN® High Gloss Inserts:**
 Color: _____
- **Metallic Inserts:**
 - Aluminum Laminate Stainless Lam. (Vertical)
 - Platinum Ice Acrylic Stainless Lam. (Horizontal)
- **Custom Etch:** Positive Negative
- NO INSERT

*Art work must be supplied, subject to set up fee. Contact Element Designs for details.
 All glass is tempered safety glass & will not have etched tempered logo unless otherwise specified at time of order.
 Refer to local building codes.

4 Hinge Hardware Selection

- Wide Frame:** QTY: _____
 Full Overlay (35mm cup)
 - Soft Close (71B3550)
 - Self Close (71T5550)
 - Free Swing (70T3580)
 Half Overlay (35mm cup)
 - Soft Close (71B3650)
 - Self Close (71T5650)
 - Free Swing (70T3650)
- Narrow Frame*:** *ONLY AF001 & AF008 QTY: _____
 Full Overlay (Narrow)
 - 15mm Soft Close (71B950A)
 - 15mm Self Close (73T550A)
 - 17mm Self Close (71T950A)
 - 19mm Self Close (C2Z6A99)
 - 15mm Free Swing (72T550A)
 Half Overlay (Narrow)
 - Soft Close (71B960A)
 - Self Close (71T560A)

- Hinge Mounting Plates:** QTY: _____
 0mm Do not include mounting plates

- Include Tip On Hardware:** Yes QTY: _____

5 Decorative Hardware & Handles

- Drill for handle holes (Must specify handle location on pg 2)
- | Natural Anodized | | Brushed Stainless & ORB | Various Finishes |
|---|------------------------------------|------------------------------------|-----------------------------------|
| Knobs | Bar Pulls | Bar Pulls | Finger Pulls |
| <input type="checkbox"/> K001 <input type="checkbox"/> P1-127 | <input type="checkbox"/> P1-76S | <input type="checkbox"/> P1-76S | <input type="checkbox"/> P2-42 |
| <input type="checkbox"/> K005 <input type="checkbox"/> P1-190 | <input type="checkbox"/> P1-192S | <input type="checkbox"/> P1-192S | <input type="checkbox"/> P2-42S |
| <input type="checkbox"/> K006 <input type="checkbox"/> P1-250 | <input type="checkbox"/> P1-320S | <input type="checkbox"/> P1-320S | <input type="checkbox"/> P2-42ORB |
| <input type="checkbox"/> K007 <input type="checkbox"/> P1-380 | <input type="checkbox"/> P1-76ORB | <input type="checkbox"/> P1-76ORB | |
| <input type="checkbox"/> K008 <input type="checkbox"/> P1-640 | <input type="checkbox"/> P1-192ORB | <input type="checkbox"/> P1-192ORB | |
| <input type="checkbox"/> K009 <input type="checkbox"/> P1-880 | <input type="checkbox"/> P1-320ORB | <input type="checkbox"/> P1-320ORB | <input type="checkbox"/> Other |

Item	Qty	Dimensions		in OR mm	Left (L)	Right (R)	Up (U)	Drawer (D)	Panel (P)	# Hinge Bore per Door	Element Designs Use Only	
		Width	Height								Price	Ext. Price
1					<input type="checkbox"/> L	<input type="checkbox"/> R	<input type="checkbox"/> U	<input type="checkbox"/> D	<input type="checkbox"/> P			
2					<input type="checkbox"/> L	<input type="checkbox"/> R	<input type="checkbox"/> U	<input type="checkbox"/> D	<input type="checkbox"/> P			
3					<input type="checkbox"/> L	<input type="checkbox"/> R	<input type="checkbox"/> U	<input type="checkbox"/> D	<input type="checkbox"/> P			
4					<input type="checkbox"/> L	<input type="checkbox"/> R	<input type="checkbox"/> U	<input type="checkbox"/> D	<input type="checkbox"/> P			
5					<input type="checkbox"/> L	<input type="checkbox"/> R	<input type="checkbox"/> U	<input type="checkbox"/> D	<input type="checkbox"/> P			
6					<input type="checkbox"/> L	<input type="checkbox"/> R	<input type="checkbox"/> U	<input type="checkbox"/> D	<input type="checkbox"/> P			
7					<input type="checkbox"/> L	<input type="checkbox"/> R	<input type="checkbox"/> U	<input type="checkbox"/> D	<input type="checkbox"/> P			
8					<input type="checkbox"/> L	<input type="checkbox"/> R	<input type="checkbox"/> U	<input type="checkbox"/> D	<input type="checkbox"/> P			
9					<input type="checkbox"/> L	<input type="checkbox"/> R	<input type="checkbox"/> U	<input type="checkbox"/> D	<input type="checkbox"/> P			
10					<input type="checkbox"/> L	<input type="checkbox"/> R	<input type="checkbox"/> U	<input type="checkbox"/> D	<input type="checkbox"/> P			
11					<input type="checkbox"/> L	<input type="checkbox"/> R	<input type="checkbox"/> U	<input type="checkbox"/> D	<input type="checkbox"/> P			
12					<input type="checkbox"/> L	<input type="checkbox"/> R	<input type="checkbox"/> U	<input type="checkbox"/> D	<input type="checkbox"/> P			

Special Instructions: _____

Knobs/Pulls:	
Hardware:	
Shipping:	
TOTAL:	

Hinge and Handle Specs

Line Item # _____ (from pg 1) Customer Line Item # _____
 (if applicable)

Please make copy and fill out 1 sheet
 for each different boring pattern.

Hinge Borings

X1 = _____ (std=7/8") OR B = _____ (std=5 mm)

X2 TOP/LEFT = _____ (minimum = 3")
 (std = 3 1/2")

X2 BOTTOM/RIGHT = _____ (minimum = 3")
 (std = 3 1/2")

X3 = _____ (optional)

X4 = _____ (optional - not shown)

X5 = _____ (optional - not shown)

Handle Borings

of Holes: _____

K1 = _____ (Knob or Pull)
 (Std = centered on frame)

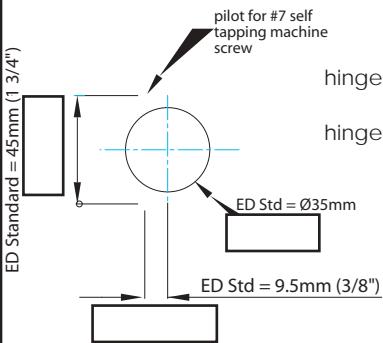
K2 = _____ (Knob or Pull)
 (Min = 2 1/4") (Std = 2 1/2")

KC = _____ (Pull only)
 (center to center distance)

Handle Hole Diameter = 11/64"

Contact Element Designs for special hardware
 borings (e.g. lift-up systems)

Hinge Boring Spec

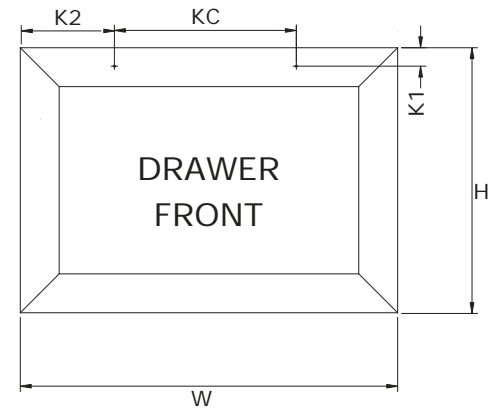
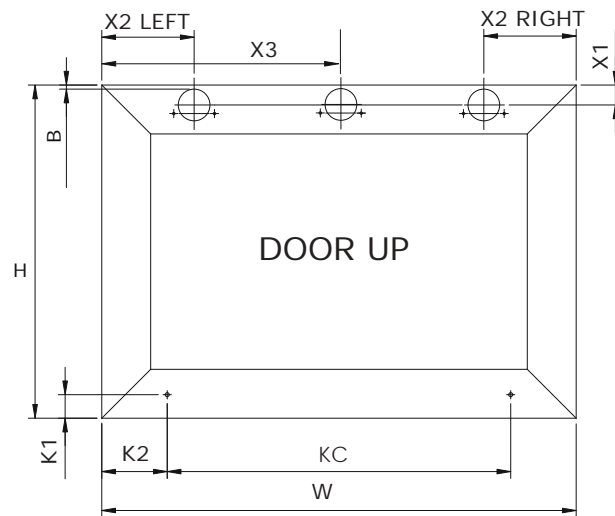
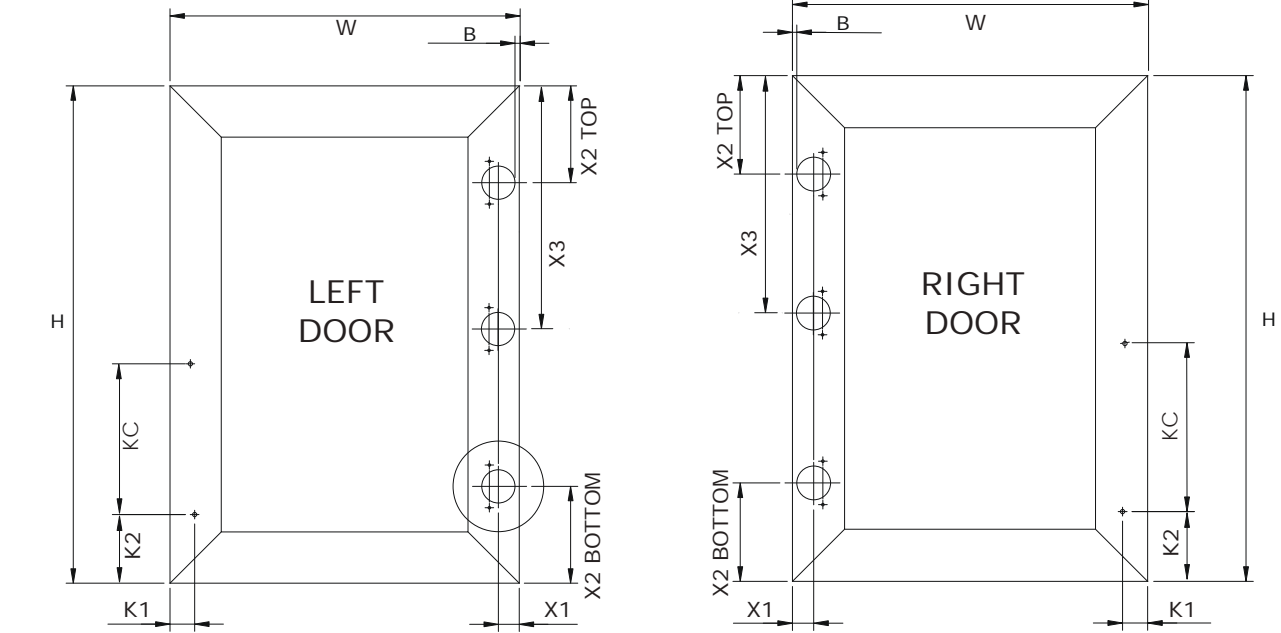


hinge mfg: _____

hinge part #: _____

** Hinge screws are
 included with each
 order **

BACK OF DOOR/ DRAWER FRONT SHOWN



for additional information or customer support
 please call: (704) 332-3114
 or (877) 332-3396