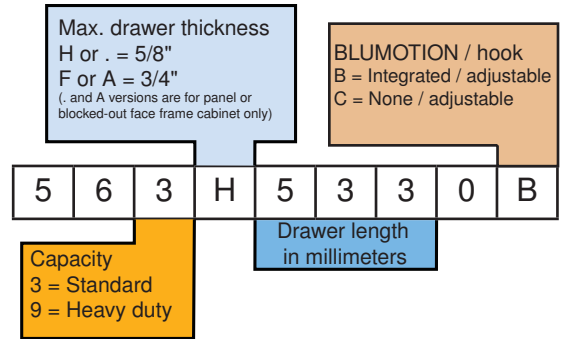


# Overview



# TANDEM plus BLUMOTION

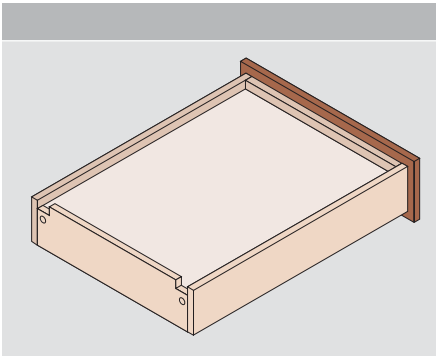
| Drawer length           | Full extension with BLUMOTION |      | Heavy duty full extension with BLUMOTION |      |
|-------------------------|-------------------------------|------|--|------|
|                         | Maximum drawer thickness      |      | Maximum drawer thickness                 |      |
|                         | 5/8"                          | 3/4" | 5/8"                                     | 3/4" |
| 9"                      | 563H                          | 563F |  |      |
| 12"                     |                               |      |  |      |
| 15"                     |                               |      |  |      |
| 18"                     | 563H and 563.                 |      | 569H                                     | 569F |
| 21"                     |                               |      |  |      |
| 24"                     |                               |      | 569.                                     | 569A |
| 27"                     |                               |      |  |      |
| 30"                     |                               |      |  |      |
| Capacity static/dynamic | 100/90 lb*                    |      | 150/135 lb*                              |      |



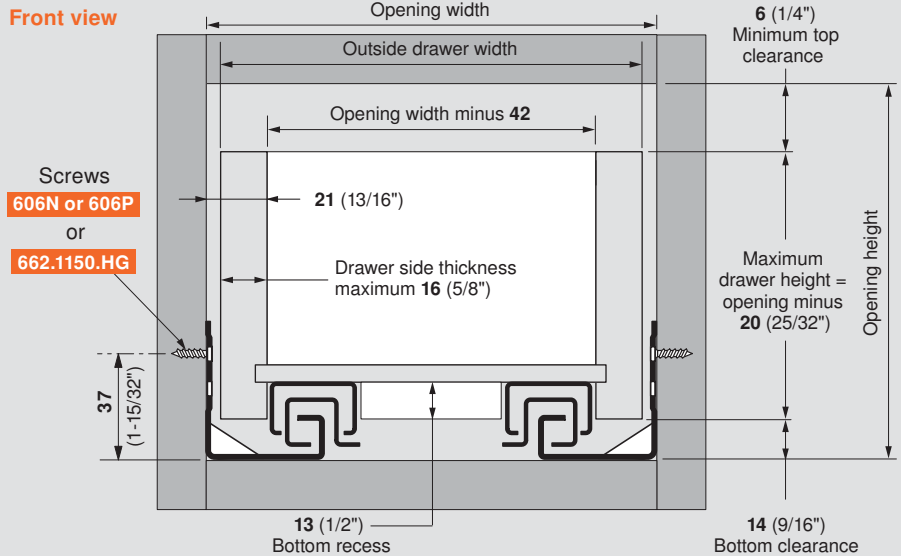
|      |     |     |     |     |     |     |     |     |
|------|-----|-----|-----|-----|-----|-----|-----|-----|
| MM   | 229 | 305 | 381 | 457 | 533 | 610 | 686 | 762 |
| Inch | 9"  | 12" | 15" | 18" | 21" | 24" | 27" | 30" |

\*Per ANSI/BHMA 156.9 Grade 1 standards on a 21" length drawer box

## Drawer preparation



## Drawer box specifications



**NOTE:** Drawer side material thickness may vary. Accurate measurement of drawer side material thickness should be used when calculating outside drawer width using the table below. Inside drawer width **must** equal opening width minus **42 (1-21/32")** for TANDEM to align and function optimally.

### Calculating outside drawer width

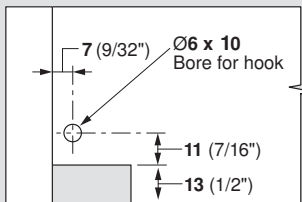
|                           |             |             |            |           |             |
|---------------------------|-------------|-------------|------------|-----------|-------------|
| For drawer side thickness | 16 (5/8")   | 15 (19/32") | 14 (9/16") | 13 (1/2") | 12 (15/32") |
| Deduct from opening width | 10 (13/32") | 12 (15/32") | 14 (9/16") | 16 (5/8") | 18 (23/32") |

**Example:** For 21" opening width and a 5/8" thick drawer, 21 minus 13/32" = 20-19/32" drawer width

**NOTE:** Reference page 17 in TANDEM plus BLUMOTION brochure for F series runner

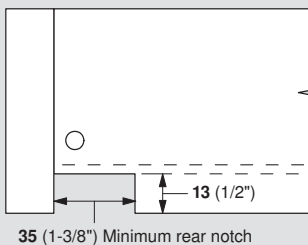
## Rear boring - 6mm

### Rear view



## Rear notching - 1 3/8" (min) x 1/2"

### Rear view



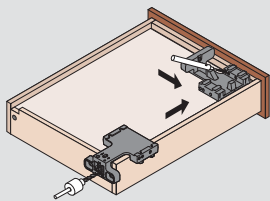
## Overview



## TANDEM plus BLUMOTION


### Assembly aids

**TANDEM template**




Part no. **T65.1600.01**

**Pre-bore single drawers**



Part no. **65.1051.02**


**Pre-bore full cabinet**



Part no. **65.1000.01**

**Tool set**

- A** Ø2.5 mm drill bit extension
- B** Ø6 mm stop collar
- C** #2 Phillips screwdriver tip
- D** Allen wrenches



Part no. **T65.9000**

**NOTE:** Drill bits sold separately — 6 mm and 2.5 mm

### Locking devices

**Standard**

- Side-to-side adjustment ±1.5 mm
- Height adjustment +3 mm



Part no. **T51.1901 R/L**

**Vertical mount**

- Side-to-side adjustment ±1.5 mm
- Height adjustment +3 mm




**NOTE:** 5/8" minimum sub-front thickness

Part no. **T51.1901.20 R/L**

**Depth adjustment**

- Side-to-side adjustment ±1.5 mm
- Height adjustment +3 mm
- Depth adjustment +2.5 mm out



**NOTE:** For inset and SERVO-DRIVE for TANDEM applications, 1/2" minimum sub-front thickness

Part no. **T51.1901.PS R/L**

**Standard**

- Adjustments Height +3 mm



Part no. **T51.1801 R/L**

**Vertical mount**

- Adjustments Height +3 mm



**NOTE:** 5/8" minimum sub-front thickness

Part no. **T51.1801.20 R/L**

**Narrow drawer**

- Adjustments Height +3 mm



**NOTE:** 5/8" minimum sub-front thickness


Part no. **T51.1801.20 R/L**

**Additional adjustments**

- Rear side-to-side, incorporated into runners (±1.5 mm)
- Rear tilt, incorporated into runners (+5 mm)
- Depth, with elongated holes, incorporated into runners (±4.5 mm)

### Screw-on rear bracket — face frame applications

**Standard**



Part no. **295.3750.01**

**Narrow application**



Part no. **295.3550.01**

### Miscellaneous notes

- When adding SERVO-DRIVE to a drawer the minimum space required in back is 1-5/8"
- If adding the lateral stabilizer option to a bottom mount runner it will sit 1/8" higher
- For heavy duty applications, rear brackets and sockets can not be used. Cabinet sides must be blocked-out flush with the inside of the frame.

### Specialty applications

#### Narrow drawers

Runners - 563's for 3-3/4" to 4-7/8" inside drawer measurements  
Need narrow locking device **T51.0801.20**  
Minimum sub-front thickness 5/8"

#### Lateral stabilizer

Available for 563 and 569 runners - max opening cabinet 53-7/32"  
Recommended for 24" or wider applications  
Utilize when drawer is twice as wide versus depth  
Lateral stabilizer set **ZST.686TU01** for 9" - 27" runners

#### Bottom mount drawers

15, 18 and 21" 563 runners with bottom mount holes  
Heavy duty application - **569R5330B** for 21" only  
Heavy duty runner comes in set with locking device

#### Waste/recycle with SERVO-DRIVE

569R runner 21" only - 3 widths 12, 15 and 18"  
SERVO-DRIVE set **Z10NA20UGUS**